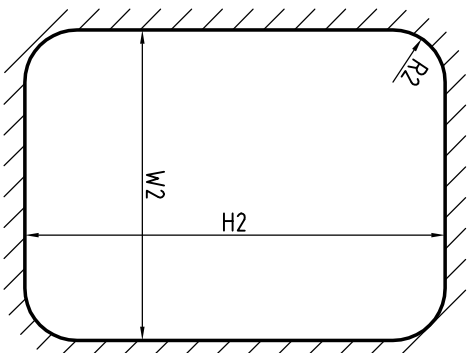
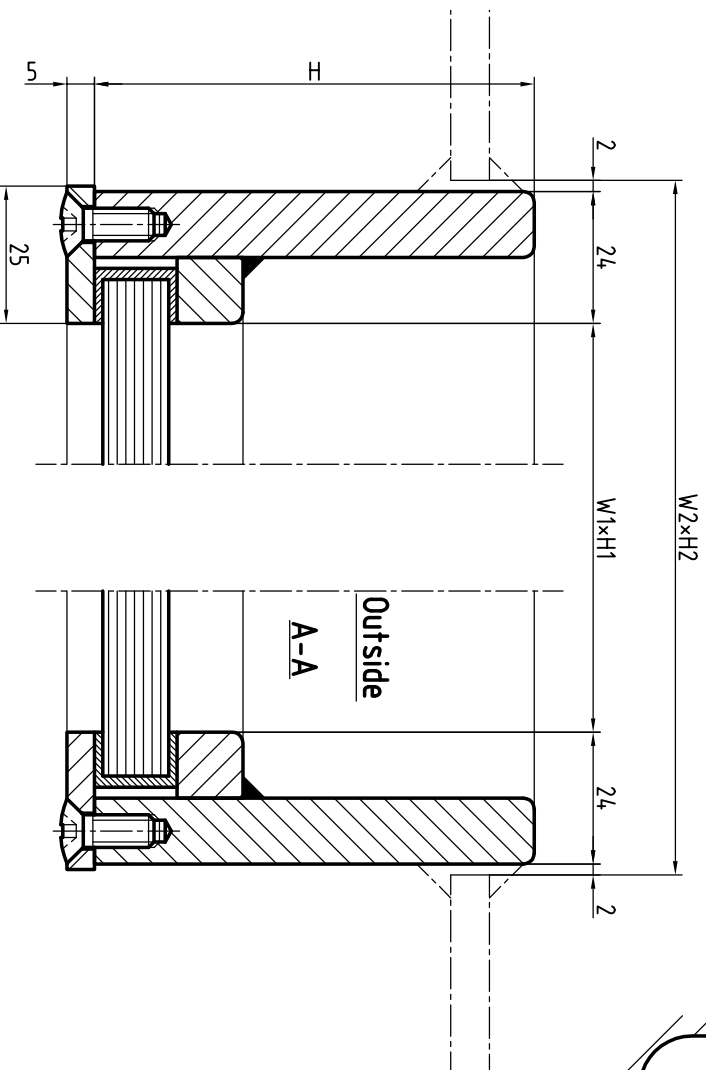
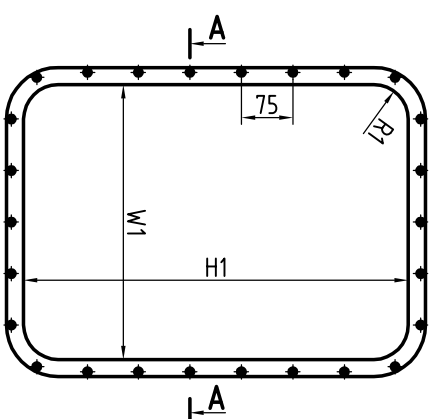


Materials:
 Weldingframe: Mild steel/Aluminum/Stainless steel
 Retaining list: Brass/Aluminum/Stainless steel
 U-Sealant: Rubber
 Glasspane: Toughened glass,
 tested acc. to ISO 614
 Screws: Brass/Stainless steel DIN 966, M6x16



Hole in plate



No	Nominal size		Hole in plate		Radius		Glass thick.			Glass chamber			Frame height
	W1xH1	W2xH2	R1	R2	type E	type F	type E	type E	type E	type E			
1	300x425	352x477	50	76	10	10	15	15	15	15	standard-80mm		
2	355x500	407x552	50	76	10	10	15	15	15				
3	400x560	452x612	50	76	12	10	15	15	15				
4	450x630	502x682	100	126	12	10	15	15	15				
5	500x710	552x762	100	126	15	10	18	18	15				
6	560x800	612x852	100	126	15	10	18	18	15				
7	900x630	952x682	100	126	19	12	22	22	15				
8	1000x710	1052x762	100	126	19	12	22	22	15				
9	1100x800	1152x852	100	126	-	15	-	-	18				

PROMAP LTD.
Bydgoszcz, POLAND

Drawn: Skenski
 Date: 01-04-2014
Fixed window
 Title: ISO 3903
 Tel: +48 52 3216131 Fax: +48 52 3764726
 Email: promap@promap.eu
 AutoCAD file no. **WFW-01**