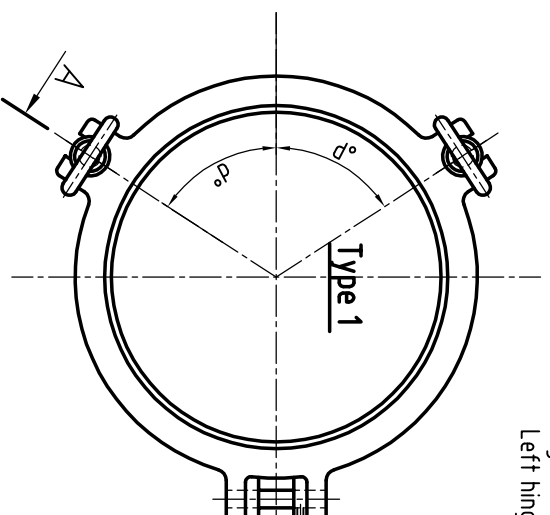
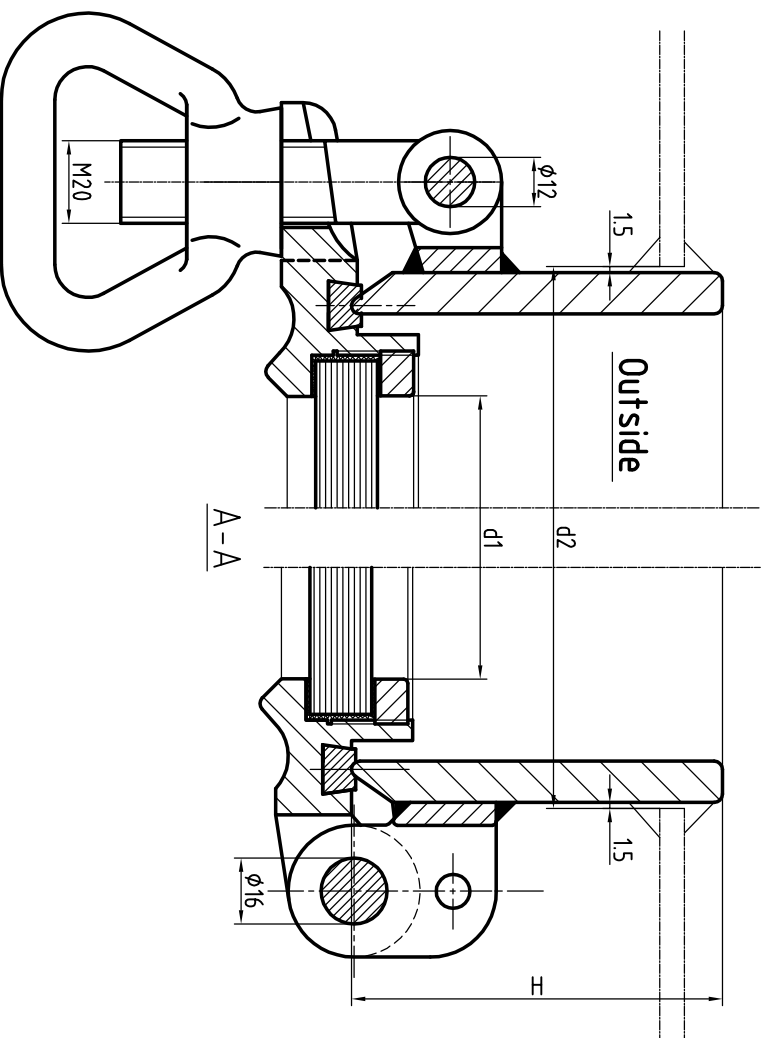
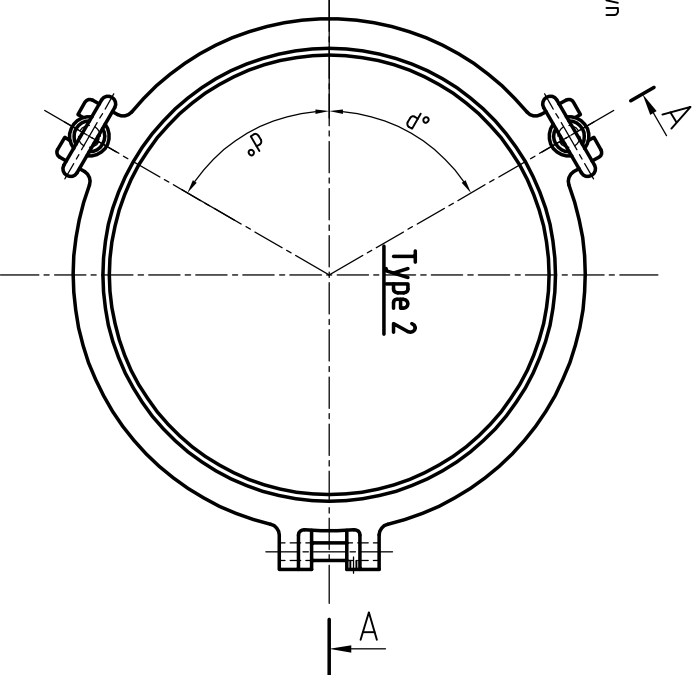


Materials:  
 Weldingframe: Mild steel/Stainless steel  
 Glassframe: Brass/Stainless steel  
 Hinge pins: Brass/Stainless steel  
 Glasspane: Toughened glass,  
 tested acc. to ISO 614  
 Fasteners: Brass/Stainless steel



Right hinged, IRW is drawn  
 Left hinged is opposite



Nominal size d1	Hole in plate d2	Type d (°)	Glass thickness		Frame height
			type A	type B	
250	308	1	48	12	8
300	363	1	52	15	10
350	413	2	57	15	12
400	463	2	60	19	12
450	513	2	60	19	12

standard-80mm

<b>PROMAP LTD.</b>		Drawn:	Data:	ISO 1751-IRW
<b>Bydgoszcz, POLAND</b>		Skenski	01-04-2014	
<b>Hinged sidelight</b>		Title		SHW-01
Toll: +48 52 3216131 Fax: +48 52 3764726		E-mail: promap@promap.eu		